

Flanged Motor Valve compact



1/2" up to 2"

Fast and high resolution motorvalve for control and switching of neutral through to highly aggressive media in process engineering, chemical industries and for plant equipment.

- Low operation noise level (quiet operation)
- Control of high differential pressures with small actuators
- Fast stroking speed
- Small dead band
- Smooth start and slow down
- Stainless steel body
- For temperatures form -58°F up to +428°F



Technical Information of the Valve

Nominal sizes	1/2" up to 2"
Body material	CF8M
Connection	Flanges acc. ANSI B16.5-Class 150 or DIN EN 1092-1
Dimensions	Acc. ANSI/ISA-75.08.01 or DIN EN 558-1 Row 1
Nominal pressure	ANSI150 or 580 psi
Media temperature:	-148°F up to +392°F, opt. -58°F up to +428°F
Viscosity of media	maximum 600cSt, 80°E (600 mm ² /s)
Vakuum	maximum 0,001 bar abs
Rangeability / characteristics	30:1
Working pressure for version without cavities	maximum 175 psi

Technical Information of the Actuator

Driving force	450 lbf / 1120 lbf
Power connections	24 V AC/DC 100 - 240 V 50/60Hz
Ambient temperature	Standard: +14°F up to +140°F Low temperature version: -40°F up to +140°F
Storage Temperature	Standard: -22°F up to +176°F (+140°F with Fail-Safe protection) Low temperature version: -40°F up to +176°F (+140°F with Fail-Safe protection)
Mounting position	choice horizontal or vertical actuator only
Protection class (EN 60529)	IP 67
Max. power consumption	40 Watt
Dead band	±0,2% at min. 0.24" stroke
Repeat accuracy	±0,1% at min. 0.24" stroke
Stroking speed	450 lbf-version: 19 s/inch up to 6350 s/inch (standard 38 s/inch) 1120 lbf-version: 51 s/inch up to 6350 s/inch (standard 38 s/inch)
Stroking speed of the Fail-Safe protection	450 lbf-version: 19 s/inch up to 102 s/inch (standard 38 s/inch) 1120 lbf-version: 51 s/inch up to 102 s/inch (standard 38 s/inch)
Set point range	adjustable 0(4) - 20 mA, 0(2) - 10 V optional binary input signal (24V DC)
Feed back	adjustable 0(4) - 20 mA, 0(2) - 10 V
cycles (Fail-Safe)	500.000
life-time (Fail-Safe)	10 years
duty cycle	100%
Self Monitoring	monitoring of the driving power, set point, actuator temperature, temperature of the electronic etc.
Diagnostic function	storage of motor and total service life, temperature- and way classes
Valve adaptation	automatic stroke adjustment to suit valve limits
additional inputs	binary input
additional outputs	2 alarm outputs

Stroking Times

DN	Stroke in inch	Stroking time (sec.) for the complete stroke at a stroking speed of				
		19,1 s/inch	25,4 s/inch	38,1 s/inch	50,8 s/inch	101,6 s/inch
1/2"	0.3	7	9	13	17	35
3/4"	0.4	7	9	14	18	37
1"	0.6	11	14	21	28	57
1 1/4"	0.7	14	19	28	38	76
1 1/2"	0.7	14	18	27	36	72
2"	0.8	15	20	30	40	80
	for controlcone linear 100%			Standard 450 lbf-actuator	min. stroking time for 5kN-actuator	Standard 1120 lbf-actuator

Admissible Differential Pressures

driving force	seating seal Nominal size	p _{max} [bar]					
		PTFE		PEEK-7 (T<320°F)		PEEK-8 (T>320°F)	
		Control	On/Off	Control	On/Off	Control	On/Off
450 lbf	1/2"	232	580	232	580	232	580
	3/4"	232	580	232	580	232	580
	1"	232	464	232	362.5	232	464
	1 1/4"	232	333.5	188.5	188.5	232	304.5
	1 1/2"	225	225	101.5	101.5	203	203
	2"	145	145	43.5	43.5	123.5	123.5
1120 lbf	1 1/4"	-	-	232	493	232	493
	1 1/2"	-	-	232	333.5	232	333.5
	2"	-	-	210.5	210.5	210.5	210.5

Cvs-values

Nominal size	linear						equal percentage					
	1/2"	3/4"	1"	1 1/4"	1 1/2"	2"	1/2"	3/4"	1"	1 1/4"	1 1/2"	2"
100 %	3.7	6.7	12.5	18.6	25.5	38.9	3.5	6.3	11.6	18	23.2	-
63 %	-	4.1	-	11.6	15.3	23.3*	-	3.8	-	10.8	13.9	-
40 %	1.5	2.7	5	7.4	10.2	15.5*	1.5	2.6	4.6	7.2	9.3	-
25 %	0.9	-	3.1	-	-	-	0.9	-	2.9	-	-	-

*: control cone only available for reinforced design

Options

2 additional stroke limit switches	free adjustable volt free contacts (open/close)
Fail-Safe protection	Mounted in own body at actuator Safety position freely selectable
Communication software	with communication link, for parametrization and diagnosis of the actuator
Bluetoothmodul BT-1	Wireless connection to DeviceConfig configuration software (upgrade option)

Actuator with Fail-Safe protection (Option)

- Safety function at power failure
- Power supply via high performance capacitors
- Safety position open, closed or in every other position selectable
- Automatic monitoring of the charge condition of the capacitors



Flanged Motor Valve compact 7332

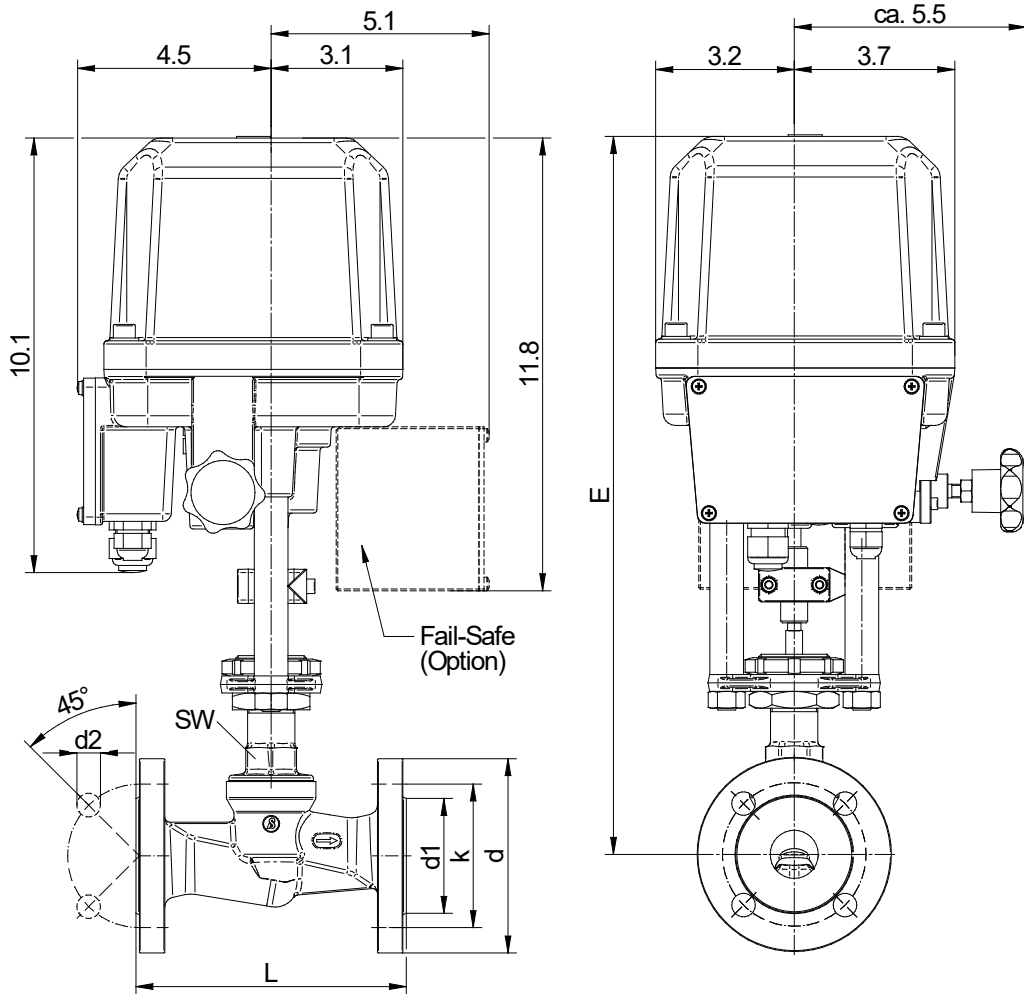


Ordering Number System

		Article number										
		7332/			K						S	
Nominal size:												
1/4" (DN 15)		015										
3/4" (DN 20)		020										
1" (DN 25)		025										
1 1/4" (DN 32)		032										
1 1/2" (DN 40)		040										
2" (DN 50)		050										
Item:												
Valve		V										
Upper part		U										
Actuator		A										
Body design:												
Flanged valve			9									
Connection:												
Flanges acc. ASME B 16.5				1								
Body material:												
Stainless steel					2							
Seating seal:												
PTFE								0				
FKM (Viton)								1				
EPDM								2				
NBR								3				
Actuator:												
without actuator								0				
450 lbf, position electronic, IP67 , activation: 4-20mA or 2-10V, feedback 4-								A				
1120 lbf, position electronic, IP67 , activation: 4-20mA or 2-10V, feedback 4-								B				
Motor Voltage												
100 - 240V, 50/60Hz								-				
24V AC/DC								1				
Control plug:												
none										-		
linear 100%										1		
equal percentage 100%										2		
linear 40%										3		
equal percentage 40%										4		
linear 25%										5		
equal percentage 25%										6		
Safety position												
without safety position											-	
Fail Safe Function: Safety position closed in the case of power failure											1	
Fail Safe Function: Safety position opened in the case of power failure											2	
Fail Safe Function: position in case of power failure according to customer											3	
Stroking times												
Standard (38s/inch)												-
19 (s/inch)												1
38 (s/inch)												2
51 (s/inch)												3
102 (s/inch)												4
508 (s/inch)												9

ordering example: 7332/025V9120A-1
 flanged valve with motor actuator, DN 25, PN 10/40, DIN-flange, stainless steel,
 linear actuator 450 lbf, 100-240V 50/60 Hz, control cone 100% linear

Dimensions and Weights



DN	flanges acc. DIN					flanges acc. ANSI					SW	E
	L	d	d1	d2	k	L	d	d1	d2	k		
1/2"	5.1	3.7	1.8	0.6	2.6	7.2	3.5	1.4	0.6	2.4	1.2	16
3/4"	5.9	4.1	2.3	0.6	3	7.2	3.9	1.7	0.6	2.8	1.2	16.1
1"	6.3	4.5	2.7	0.6	3.3	7.2	4.3	2	0.6	3.1	1.2	16.9
1 1/4"	7.1	5.5	3.1	0.7	3.9	7.9	4.6	2.5	0.6	3.5	1.2	17
1 1/2"	7.9	5.9	3.5	0.7	4.3	8.7	5	2.9	0.6	3.9	1.4	17.2
2"	9.1	6.5	4	0.7	4.9	10	6	3.6	0.8	4.8	1.4	18.2

DN	weight with 450 lbf-actuator lbs		weight with 1120 lbf-actuator lbs	
	without Fail-Safe	with Fail-Safe	without Fail-Safe	with Fail-Safe
1/2"	22.3	26.1	24.3	28
3/4"	24.3	28	26.3	30
1"	25.6	29.4	27.6	31.4
1 1/4"	29.2	32.9	31.1	34.9
1 1/2"	31.8	35.5	33.8	37.5
2"	35.8	39.5	37.7	41.5

dimensions in inch