

STF700 SmartLine Flange Mounted Level Specification 34-ST-03-103, March 2020



Introduction

Part of the SmartLine® family of products, the STF700 is suitable for monitoring, control and data acquisition. STF700 products feature piezoresistive sensor technology combining pressure sensing with on chip temperature compensation capabilities providing high accuracy, stability and performance over a wide range of application pressures and temperatures. The SmartLine family is also fully tested and compliant with Experion® PKS providing the highest level of compatibility assurance and integration capabilities. SmartLine easily meets the most demanding application needs for pressure measurement applications.

Best in Class Features:

- Accuracies up to 0.05% standard
- Stability up to 0.02% of URL per year for ten years
- Automatic static pressure & temperature compensation
- Rangeability up to 100:1
- Response times as fast as 90ms
- Multiple local display capabilities
- External zero, span, & configuration capability
- Polarity insensitive electrical connections
- Comprehensive on-board diagnostic capabilities
- Integral Dual Seal design for highest safety based on ANSI/NFPA 70-202 and ANSI/ISA 12.27.0
- World class overpressure protection
- Full compliance to SIL 2/3 requirements.
- Modular design characteristics



Figure 1 – STF700 Flanged Level Transmitters feature field-proven piezoresistive sensor technology

Span & Range Limits:

Model	URL “H ₂ O (mbar)	LRL “H ₂ O (mbar)	Max Span “H ₂ O (mbar)	Min Span “H ₂ O (mbar)
STF724	400 (1000)	-400 (-1000)	400 (1000)	4.0 (10.0)
STF72F	400 (1000)	-400 (-1000)	400 (1000)	4.0 (10.0)
Model	psi (bar)	psi (bar)	psi (bar)	psi (bar)
STF732	100 (7.0)	-100 (-7.0)	100 (7.0)	1 (0.07)
STF73F	100 (7.0)	-100 (-7.0)	100 (7.0)	1 (0.07)

Communications/Output Options:

- 4-20mA dc
- Honeywell Digitally Enhanced (DE)
- HART® (version 7.0)
- FOUNDATION™ Fieldbus

All transmitters are available with the above listed communications protocols.

Description

The SmartLine family pressure transmitters are designed around a high performance piezo-resistive sensor. This one sensor actually integrates multiple sensors linking process pressure measurement with on-board static pressure (DP Models) and temperature compensation measurements. This level of performance allows the ST 700 to replace most competitive transmitters available today.

Indication/Display Option

The ST 700 modular design accommodates a basic alphanumeric LCD display.

Basic Alphanumeric LCD Display Features

- Modular (may be added or removed in the field)
- 0, 90,180, & 270 degree position adjustments
- Configurable (HART only) and standard (Pa, KPa, MPa, KGcm2, Torr, ATM, inH₂O, mH₂O, bar, mbar, inH₂O, inHG, FTH₂O, mmH₂O, mm HG, & psi) measurement units
- 2 Lines 16 Characters (4.13H x 1.83W mm)
- Square root output indication ($\sqrt{\quad}$)

Simple LCD Display Features

- Modular (may be added or removed in the field)
- Supports HART protocol variant
- 0, 90,180, & 270 degree position adjustments
- Configurable (HART only) and standard (Pa, KPa, MPa, KGcm2, Torr, ATM, inH₂O, mH₂O, bar, mbar, inH₂O, inHG, FTH₂O, mmH₂O, mm HG, & psi) measurement units.
- Supports Flow engineering units
- 2 Lines 6 digits PV (9.95H x 4.20W mm) 8 Characters
- Square root output indication ($\sqrt{\quad}$) and Write protect Indication
- Built in Basic Device Configuration through Internal Buttons – Range/Engineering Unit/Loop Test /Loop Calibration/Zero /Span Setting

Diagnostics

SmartLine transmitters all offer digitally accessible diagnostics which aid in providing advanced warning of possible failure events minimizing unplanned shutdowns, providing **lower overall operational costs**

System Integration

- SmartLine communications protocols all meet the most current published standards for HART/DE/Fieldbus.
- Integration with Honeywell's Experion PKS offers the following unique advantages.
 - Tamper reporting
 - FDM Plant Area Views with Health summaries
 - All ST 700 units are Experion tested to provide the highest level of compatibility assurance

Configuration Tools

External Three Button Configuration Option

Suitable for all electrical and environmental requirements, SmartLine offers the ability to configure the transmitter and display via three externally accessible buttons when a display option is selected. Zero/span capabilities are also optionally available via these buttons with or without selection of the display option.

Internal Two Button Configuration Option

The Simple display has two buttons that can be used for Basic configuration such as re ranging, PV Engineering unit setting, Zero/Span settings and Loop testing and calibration functions.

Hand Held Configuration

SmartLine transmitters feature two-way communication and configuration capability between the operator and the transmitter. This is accomplished via Honeywell's field-rated Multiple Communication Configurator (MCT404). The MCT404 is capable of field configuring DE and HART Devices and can also be ordered for use in intrinsically safe environments. All Honeywell transmitters are designed and tested for compliance with the offered communication protocols and are designed to operate with any properly validated hand held configuration device.

Personal Computer Configuration

Honeywell's SCT 3000 Configuration Toolkit provides an easy way to configure Digitally Enhanced (DE) instruments using a personal computer as the configuration interface. Field Device Manager (FDM) Software and FDM Express are also available for managing HART & Fieldbus device configurations.

Modular Design

To help contain maintenance & inventory costs, all ST 700 transmitters are modular in design supporting the user's ability to replace meter bodies, add indicators or change electronic modules without affecting overall performance or approval body certifications. Each meter body is uniquely characterized to provide in-tolerance performance over a wide range of application variations in temperature and pressure and due to the Honeywell advanced interface, electronic modules may be swapped with any electronics module without losing in-tolerance performance characteristics.

Modular Features

- Meter body replacement
 - Exchange/replace electronics/comms modules*
 - Add or remove integral indicator*
 - Add or remove lightning protection (terminal connection)*
- * Field replaceable in all electrical environments (including IS) except flameproof without violating agency approvals.

With no performance effects, Honeywell's unique modularity results in **lower inventory needs and lower overall operating costs.**

Performance Specifications

Reference Accuracy (conformance to +/-3 Sigma)

Table 1

Model	URL	LRL	Min Span	Maximum Turndown Ratio	Stability (%URL/Year for ten years)	Reference Accuracy ^{1,2} (% Span)
STF724	400 in H ₂ O/1000mbar	-400 in H ₂ O/-1000mbar	4 in H ₂ O/10.0mbar	100:1	0.02%	0.050%
STF72F	400 in H ₂ O/1000mbar	-400 in H ₂ O/-1000mbar	4 in H ₂ O/10.0mbar	100:1	0.02%	0.050%
STF732	100 psi/7.0 bar	-100 psi/-7.0 bar	1 psi/0.07 bar	100:1	0.03%	0.050%
STF73F	100 psi/7.0 bar	-100 psi/-7.0 bar	1 psi/0.07 bar	100:1	0.03%	0.050%

Zero and span may be set anywhere within the listed (URL/LRL) range limits

Accuracy, Span, Temperature and Static Pressure Effect: (Conformance to +/-3 Sigma)

Table 2

Model	URL	Turn down greater than	Accuracy ^{1,2} (% of Span)			Temperature Effect (% Span/50°F)		Static Line Pressure Effect (% Span/300psi)	
			A	B	C (see URL Units)	D	E	F	G
STF724	400 in H ₂ O(1000mbar)	16:1	0.0125	0.0375	25(62.5)	0.260	0.040	0.095	0.010
STF72F	400 in H ₂ O (1000mbar)					0.050	0.020	0.025	0.005
Model	URL	Turn down greater than	A	B	C (see URL Units)	D	E	F	G
STF732	100 psi (7.0 bar)	4:1	0.0125	0.0375	25(1.7)	0.075	0.075	0.095	0.010
STF73F	100 psi (7.0 bar)					0.065	0.010	0.026	0.004
			Turn Down Effect ± [A + B ($\frac{C}{Span}$)] % Span			Temp Effect ± [D + E ($\frac{URL}{Span}$)] % Span per 28°C (50°F)		Static Effect ± [F + G ($\frac{URL}{Span}$)] % Span per 300 psi	

Total Performance (% of Span):

$$\text{Total Performance} = \pm \sqrt{(\text{Accuracy})^2 + (\text{Temp Effect})^2 + (\text{Static Line Pressure Effect})^2}$$

Total Performance Examples: (5:1 Turndown, up to 50 °F shift & up to 300 psi Static Pressure)

STF724 @ 80" H₂O: 0.485% of span

STF732 @ 20 psi: 0.475 % of span

STF72F @ 80" H₂O: 0.166% of span

STF73F @ 20 psi: 0.137% of span

Typical Calibration Frequency:

Calibration verification is recommended every two (2) years

Notes:

1. Terminal Based Accuracy – Includes effects of linearity, hysteresis and repeatability. Analog output adds 0.005% of span
2. For zero based spans and reference conditions of 25°C, 0 psig static pressure, 10 to 55% RH.

Operating Conditions – All Models

Parameter	Reference Condition		Rated Condition		Operative Limits		Transportation and Storage	
	°C	°F	°C	°F	°C	°F	°C	°F
Ambient Temperature	25±1	77±2	-40 to 85	-40 to 185	-40 to 85	-40 to 185	-55 to 120	-67 to 248
Meter Body Temperature	25±1	77±2	-40 to 110 ¹	-40 to 230 ¹	-40 to 125	-40 to 257	-55 to 120	-67 to 248
Process Interface Temp. STF724, STF732 only	25±1	77±2	-40 to 110 ¹	-40 to 230 ¹	-40 to 175 ²	-40 to 350 ²	-55 to 125	-67 to 257
Humidity %RH	10 to 55		0 to 100		0 to 100		0 to 100	
Minimum Pressure mmHg absolute inH ₂ O absolute	atmospheric atmospheric		25 13		2 (short term ³) 1 (short term ³)			
Supply Voltage Load Resistance	10.8 to 42.4 Vdc at terminals 0 to 1,440 ohms (as shown in Figure 2)							

¹ Silicone 704 minimum temperature rating is 0°C (32°F). NEOBEE® M-20 minimum temperature rating is -15°C (5°F)

NEOBEE® is a registered trademark of Stepan Company

² For CTFE fill fluid, the maximum temperature rating is 150°C (300°F)

³ Short term equals 2 hours at 70°C (158 °F)

Maximum Allowable Working Pressure (MAWP)^{5, 6}

(ST 800 products are rated to Maximum Allowable Working Pressure. MAWP depends on Approval Agency and transmitter materials of construction.)

STF 724 & STF 732	Flange Material	Ambient Temperature -29 to 38°C [-20 to 100°F]	Max Meterbody Temperature 125°C [257°F]	Process Interface Temperature 175°C [350°F]
ANSI Class 150 psi [bar]	Carbon Steel	285 [19.6]	245 [16.9]	215 [14.8]
	304 S.S.	275 [19.0]	218 [15.0]	198 [13.7]
	316 S.S.	275 [19.0]	225 [15.5]	205 [14.1]
ANSI Class 300 psi [bar]	Carbon Steel	740 [51.0]	668 [46.0]	645 [44.5]
	304 S.S.	720 [49.6]	570 [39.3]	518 [35.7]
	316 S.S.	720 [49.6]	590 [40.7]	538 [37.1]
DN PN40 psi [bar]	Carbon Steel	580 [40.0] ⁴	574 [39.6]	559 [38.5]
	304 S.S.	534 [36.8] ⁴	419 [28.9]	385 [26.5]
	316 S.S.	534 [36.8] ⁴	434 [29.9]	399 [27.5]
STF72F& STF73F ANSI Class 150 psi [bar]	316L Stainless Steel	230 [15.9]	185 [12.8]	No rating at this temp

⁴ Ambient Temperature for DN PN40 is -10 to 50°C [14 to 122 F]

⁵ MAWP applies for temperature range -40 to 125°C. However, Static Pressure Limit is de-rated to 3,000 psi from -26°C to -40°C.

Use of graphite o-rings de-rates transmitter to 3,625 psi. Use of adaptor with graphite o-rings de-rates transmitter to 3,000 psi.

⁶ Consult factory for MAWP of ST 800 transmitters with CSA approval.

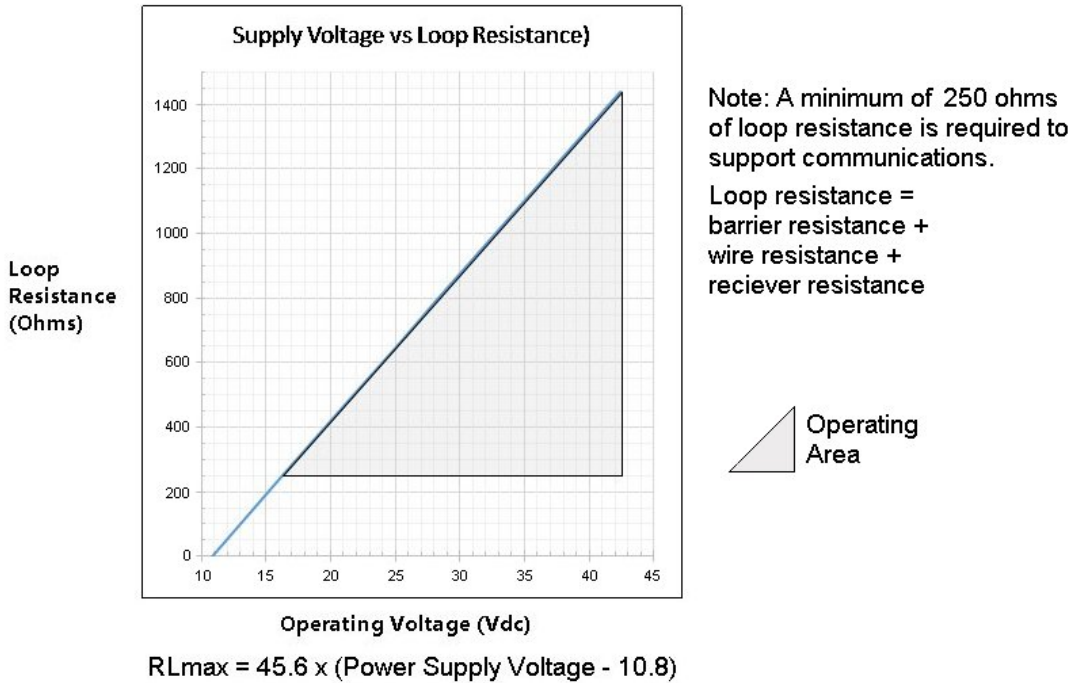


Figure 2 - Supply voltage and loop resistance chart & calculations

Performance Under Rated Conditions – All Models

Parameter	Description		
Analog Output Digital Communications:	Two-wire, 4 to 20 mA (HART & DE Transmitters only) Honeywell DE, HART 7 protocol or FOUNDATION Fieldbus ITK 6.0.1 compliant All transmitters, irrespective of protocol have polarity insensitive connection.		
HART & DE Output Failure Modes (NAMUR for DE Units requires selecting display and configuration buttons or factory configuration)	Normal Limits:	Honeywell Standard: 3.8 – 20.8 mA	NAMUR NE 43 Compliance: 3.8 – 20.5 mA
	Failure Mode:	≤ 3.6 mA and ≥ 21.0 mA	≤ 3.6 mA and ≥ 21.0 mA
Supply Voltage Effect	0.005% span per volt.		
Transmitter Turn on Time (includes power up & test algorithms)	HART or DE: 2.5 sec.	Foundation Fieldbus: Host dependant	
Response Time (delay + time constant)	DE/HART Analog Output		FOUNDATION Fieldbus
	90mS		150mS (Host Dependant)
Damping Time Constant	HART: Adjustable from 0 to 32 seconds in 0.1 increments. Default: 0.50 seconds DE: Discrete values 0, .16, .32, .48, 1, 2, 4, 8, 16, 32 seconds. Default: 0.48 seconds		
Vibration Effect	Less than +/- 0.1% of URL w/o damping Per IEC60770-1 field or pipeline, high vibration level (10-2000Hz: 0.21 displacement/3g max acceleration)		
Electromagnetic Compatibility	IEC 61326-3-1		
Lightning Protection Option	Leakage Current: 10uA max @ 42.4VDC 93C Impulse rating: 8/20uS 5000A (>10 strikes) 10000A (1 strike min.) 10/1000uS 200A (> 300 strikes)		

Materials Specifications (see model selection guide for availability/restrictions with various models)

Parameter	Description
Barrier Diaphragms Material	316L SS, Hastelloy® C-276 ² , Monel® 400 ^{**3}
Process Head Material	316 SS ⁴ , Carbon Steel (Zinc-plated) ⁵ , Hastelloy C-276 ^{*6} , Monel 400 ^{**7}
Vent/Drain Valves & Plugs ¹	316 SS ⁴ , Hastelloy C-276 ² , Monel 400 ⁷
Gasket Ring Material (Wetted)	316/316L SS, Hastelloy® C-276 ^{*2} , Monel®400 ^{**3}
Extension Tube Material	316 SS ⁴
Head Gaskets	Glass-filled PTFE standard. Viton® and graphite are optional.
Meter Body Bolting	Carbon Steel (Zinc plated) standard. Options include 316 SS, NACE A286 SS bolts, Monel K500, Super Duplex and B7M.
Optional Adapter Flange and Bolts	Adapter Flange materials include 316 SS ⁴ , Hastelloy C-276 ⁶ and Monel 400 ⁷ . Bolt material for flanges is dependent on process head bolts material chosen. Standard adaptor seal material is glass-filled PTFE. Viton and graphite are optional.
Mounting Flange STF724, STF732 STF72F, STF73F	Flush or Extended Diaphragm: Zinc Chromate plated Carbon Steel ⁵ , 304 SS, or 316 SS ⁴ . 316L SS (<i>NOTE: Mounting Flange is process wetted.</i>)
Fill Fluid	Silicone 200, CTFE, NEOBEE M-20 or Silicone 704
Electronic Housing	Pure Polyester Powder Coated Low Copper (<0.4%)-Aluminum. Meets NEMA 4X, IP66, & P67. All stainless steel housing is optional.
Mounting	See Figure 3 for typical flange mounting arrangement.
Process Connections All Models STF724, STF732 STF72F, STF73F	Process Head: 1/4-inch NPT; 1/2-inch NPT with adapter and DIN, standard options. Flange: 2, 3 or 4-inch Class 150 or 300 ANSI; DN50-PN40, DN80-PN40 or DN100-PN40 DIN flange. Extended Diaphragm: 2, 4, or 6 inches (50, 101, 152 mm) long. 2 or 3-inch, Class 150 ANSI flange.
Wiring	Accepts up to 16 AWG (1.5 mm diameter).
Dimensions	See Figure 4 , Figure 5 & Figure 6
Net Weight	STF72F, STF73F: 14-19 pounds (6.4 - 8.7Kg) with Aluminum Housing STF724, STF732: 18-32 pounds (8.2 - 14.5Kg) with Aluminum Housing

¹ Vent/Drains are sealed with Teflon®² Hastelloy C-276 or UNS N10276³ Monel 400 or UNS N04400⁴ Supplied as 316 SS or as Grade CF8M, the casting equivalent of 316 SS.⁵ Carbon Steel heads are zinc-plated and not recommended for water service due to hydrogen migration. For that service, use 316 stainless steel wetted Process Heads.⁶ Hastelloy C-276 or UNS N10276. Supplied as indicated or as Grade CW12MW, the casting equivalent of Hastelloy C-276⁷ Monel 400 or UNS N04400. Supplied as indicated or as Grade M30C, the casting equivalent of Monel 400

* Flush design only.

**Flush or pseudo flange design.

Communications Protocols & Diagnostics

HART Protocol

Version:

HART 7

Power Supply

Voltage: 10.8 to 42.4Vdc at terminals

Load: Maximum 1440 ohms See [Figure 2](#).

Minimum Load: 0 ohms. (For handheld communications a minimum load of 250 ohms is required)

Foundation Fieldbus (FF)

Power Supply Requirements

Voltage: 9.0 to 32.0Vdc at terminals

Steady State Current: 17.6mAdc

Software Download Current: 27.4mAdc

Available Function Blocks

Block Type	Qty	Execution Time
Resource	1	n/a
Transducer	1	n/a
Diagnostic	1	n/a
Analog Input	1*	30 ms
PID w/Autotune	1	45 ms
Integrator	1	30 ms
Signal Char (SC)	1	30 ms
LCD Display	1	n/a
Flow Block	1	30 ms
Input Selector	1	30 ms
Arithmetic	1	30 ms

* AI block may have two (2) additional instantiations.

All available function blocks adhere to FOUNDATION Fieldbus standards. PID blocks support ideal & robust PID algorithms with full implementation of Auto-tuning.

Link Active Scheduler

Transmitters can perform as a backup Link Active Scheduler and take over when the host is disconnected. Acting as a LAS, the device ensures scheduled data transfers typically used for the regular, cyclic transfer of control loop data between devices on the Fieldbus.

Number of Devices/Segment

Entity IS model: 6 devices/segment

Schedule Entries

18 maximum schedule entries

Number of VCR's: 24 max

Compliance Testing: Tested according to ITK 6.0.1

Software Download

Utilizes Class-3 of the Common Software Download procedure as per FF-883 which allows the field devices of any manufacturer to receive software upgrades from any host.

Honeywell Digitally Enhanced (DE)

DE is a Honeywell proprietary protocol which provides digital communications between Honeywell DE enabled field devices and Hosts.

Power Supply

Voltage: 10.8 to 42.4Vdc at terminals

Load: Maximum 1440 ohms See [Figure 2](#).

Standard Diagnostics

ST 700 top level diagnostics are reported as either critical or non-critical and readable via the DD/DTM tools or integral display as shown below.

Critical Diagnostics

HART DD/DTM Tools	Basic Display	Simple Display
Electronic Module DAC Failure	Electronics module fault	Fault Comm EI
Meter Body NVM Corrupt	Meter Body fault	Fault Mtrbody
Config. Data Corrupt	Electronics module fault	Fault Comm EI
Electronic Module Diag Failure	Electronics module fault	Fault Comm EI
Meter Body Critical Failure	Meter Body fault	Fault Mtrbody
Sensor Comms Timeout	Meter Body Comm fault	Fault Mbd Com

Non-Critical Diagnostics

HART DD/DTM Tools
Display Failure
Electronic Module Comm Failure
Meter Body Excess Correct
Sensor Over Temperature
Fixed Current Mode
PV Out of Range
No Factory Calibration
No DAC Compensation
LRV Set Error – Zero Config. Button
URV Set Error – Zero Config. Button
AO Out of Range
Loop Current Noise
Meter Body Unreliable Comm
Tamper Alarm,
No DAC Calibration
Sensor Supply Voltage Low

Refer to ST 700 manuals for additional level diagnostic information.

Approval Certifications:

AGENCY	TYPE OF PROTECTION	COMM. OPTION	FIELD PARAMETERS	AMBIENT TEMP (Ta)
FM Approvals™	Explosionproof: Class I, Division 1, Groups A, B, C, D; Dust Ignition Proof: Class II, III, Division 1, Groups E, F, G; T4 Class I, Zone 0/1, AEx d IIC Ga/Gb Class II, Zone 21, AEx tb IIIC Db T 95°C	All	Note 1	T5: -50 °C to 85°C T6: -50 °C to 65°C
	Intrinsically Safe: Class I, II, III, Division 1, Groups A, B, C, D, E, F, G; T4 Class I, Zone 0, AEx ia IIC Ga T4 FISCO Field Device (Only for FF Option) Ex ia IIC T4	4-20 mA / DE/ HART	Note 2a	-50 °C to 70°C
	Nonincendive: Class I, Division 2, Groups A, B, C, D locations, Class I, Zone 2, AEx nA IIC Gc T4	4-20 mA / DE/ HART/ Foundation Fieldbus	Note 2b	-50 °C to 70°C
	Enclosure: Type 4X/ IP66/ IP67	All	All	-
	Explosion Proof: Class I, Division 1, Groups A, B, C, D; Dust Ignition Proof: Class II, III, Division 1, Groups E, F, G; Ex d IIC Ga Ex tb IIIC Db T 95°C	All	Note 1	T5: -50 °C to 85°C T6: -50 °C to 65°C
	Intrinsically Safe: Class I, II, III, Division 1, Groups A, B, C, D, E, F, G; T4 Ex ia IIC Ga T4 FISCO Field Device (Only for FF Option) Ex ia IIC T4	4-20 mA / DE/ HART	Note 2a	-50 °C to 70°C
Canadian Standards Association (CSA)	Nonincendive: Class I, Division 2, Groups A, B, C, D; T4 Ex nA IIC Gc T4	4-20 mA / DE/ HART/ Foundation Fieldbus	Note 2b	-50 °C to 70°C
	Enclosure: Type 4X/ IP66/ IP67	All	All	-
	Explosion Proof: Class I, Division 1, Groups A, B, C, D; Dust Ignition Proof: Class II, III, Division 1, Groups E, F, G; Ex d IIC Ga Ex tb IIIC Db T 95°C	All	Note 1	T5: -50 °C to 85°C T6: -50 °C to 65°C
	Intrinsically Safe: Class I, II, III, Division 1, Groups A, B, C, D, E, F, G; T4 Ex ia IIC Ga T4 FISCO Field Device (Only for FF Option) Ex ia IIC T4	4-20 mA / DE/ HART	Note 2a	-50 °C to 70°C

Approval Certifications: (Continued)

ATEX	Flameproof: II 1/2 G Ex d IIC Ga/Gb II 2 D Ex tb IIIC Db T 95°C	All	Note 1	T5: -50 °C to 85°C T6: -50 °C to 65°C
	Intrinsically Safe: II 1 G Ex ia IIC Ga T4	4-20 mA / DE/ HART	Note 2a	-50 °C to 70°C
	FISCO Field Device (Only for FF Option) Ex ia IIC T4	Foundation Fieldbus	Note 2b	-50 °C to 70°C
	Nonincendive: II 3 G Ex nA IIC Gc T4	4-20 mA / DE/ HART/ Foundation Fieldbus	Note 1	-50 °C to 85°C
	Enclosure: IP66/ IP67	All	All	-
IECEX (World)	Flameproof : Ex d IIC Ga/Gb T4 Ex tb IIIC Db T 95°C	All	Note 1	T5: -50 °C to 85°C T6: -50 °C to 65°C
	Intrinsically Safe: Ex ia IIC Ga T4	4-20 mA / DE/ HART	Note 2a	-50 °C to 70°C
	FISCO Field Device (Only for FF Option) Ex ia IIC T4	Foundation Fieldbus	Note 2b	-50 °C to 70°C
	Nonincendive: Ex nA IIC Gc T4	4-20 mA / DE/ HART/ Foundation Fieldbus	Note 1	-50 °C to 85°C
	Enclosure: IP66/ IP67	All	All	-
SAEx (South Africa)	Flameproof : Ex d IIC Ga/Gb T4 Ex tb IIIC Db T 95°C	All	Note 1	-50 °C to 85°C
	Intrinsically Safe: Ex ia IIC Ga T4	4-20 mA / DE/ HART	Note 2a	-50 °C to 70°C
	FISCO Field Device (Only for FF Option) Ex ia IIC T4	Foundation Fieldbus	Note 2b	-50 °C to 70°C
	Nonincendive: Ex nA IIC Gc T4	4-20 mA / DE/ HART/ Foundation Fieldbus	Note 1	-50 °C to 85°C
	Enclosure: IP66/ IP67	All	All	-
INMETRO (Brazil)	Flameproof: Ex d IIC Ga/ Gb T4 Ex tb IIIC Db T 95°C	All	Note 1	-50 °C to 85°C
	Intrinsically Safe: Ex ia IIC Ga T4	4-20 mA / DE/ HART	Note 2a	-50 °C to 70°C
	FISCO Field Device (Only for FF Option) Ex ia IIC T4	Foundation Fieldbus	Note 2b	-50 °C to 70°C
	Nonincendive: Ex nA IIC Gc T4	4-20 mA / DE/ HART/ Foundation Fieldbus	Note 1	-50 °C to 85°C
	Enclosure : IP 66/67	All	All	-

Approval Certifications: (Continued)

NEPSI (China)	Flameproof: Ex d IIC Ga/Gb T4 Ex tb IIIC Db T 85°C	All	Note 1	-50 °C to 85°C
	Intrinsically Safe: Ex ia IIC Ga T4	4-20 mA / DE/ HART	Note 2a	-50 °C to 70°C
	FISCO Field Device (Only for FF Option) Ex ia IIC T4	Foundation Fieldbus	Note 2b	-50 °C to 70°C
	Nonincendive: Ex nA IIC Gc T4	4-20 mA / DE/ HART/ Foundation Fieldbus	Note 1	-50 °C to 85°C
	Enclosure : IP 66/67	All	All	-
EAC Russia, Belarus and Kazakhstan	Flameproof: 1 Ex d IIC Ga/Gb T4 Ex tb IIIC Db T 85°C	All	Note 1	-50 °C to 85°C
	Intrinsically Safe: 0 Ex ia IIC Ga T4	4-20 mA / DE/ HART	Note 2a	-50 °C to 70°C
	FISCO Field Device (Only for FF Option) Ex ia IIC T4	Foundation Fieldbus	Note 2b	-50 °C to 70°C
	Enclosure : IP 66/67	All	All	
KOSHA Korea	Flameproof : Ex d IIC T6..T5 Ex tD T 95°C	All	Note 1	T6: Ta= -50 °C to 65°C T5: Ta= -50 °C to 85°C
	Intrinsically Safe: Ex ia IIC T4	4-20 mA / DE/ HART	Note 2a	Ta= -50 °C to 70°C
		Foundation Fieldbus	Note 2b and 2c	Ta= -50 °C to 70°C
	Enclosure: IP66/ IP67	All	All	-

Notes:

1. Operating Parameters:

Voltage= 11 to 42 V DC Current= 4-20 mA Normal
= 10 to 30 V (FF) = 30 mA (FF)

2. Intrinsically Safe Entity Parameters

a. Analog/ DE/ HART Entity Values:

Vmax= Ui = 30V Imax= li= 105mA Ci = 4.2nF Li =984 uH Pi =0.9W

Transmitter with Terminal Block Revision E or Later

Vmax= Ui = 30V Imax= li= 225mA Ci = 4.2nF Li = 0 Pi =0.9W

Note : Transmitter with Terminal Block Revision E or later

The revision is on the label that is on the module. There will be two lines of text on the label:

- First is the Module Part #: 50049839-001 or 50049839-002
- Second line has the supplier information, along with the REVISION:
XXXXXX-EXXXX, THE "X" is production related, THE POSITION of the "E" IS THE REVISION.

b. Foundation Fieldbus- Entity Values

Vmax= Ui = 30V Imax= li= 180mA Ci = 0nF Li = 984 uH Pi =1W

Transmitter with Terminal Block Revision F or Later

Vmax= Ui = 30V Imax= li= 225mA Ci =0nF Li = 0 Pi =1 W

FISCO Field Device $I_{max} = I_i = 380 \text{ mA}$ $C_i = 0 \text{ nF}$ $L_i = 0$ $P_i = 5.32 \text{ W}$

$V_{max} = U_i = 17.5 \text{ V}$

Note : Transmitter with Terminal Block Revision F or later

The revision is on the label that is on the module. There will be two lines of text on the label:

- First is the Module Part #: 50049839-003 or 50049839-004
- Second line has the supplier information, along with the REVISION:
XXXXXX-EXXXX, THE "X" is production related, THE POSITION of the "E" IS THE REVISION.

Approval Certifications: (Continued)

Marine Certificates	This certificate defines the certifications covered for the ST 800 Pressure Transmitter family of products, including the SMV 800 Smart Multivariable Transmitter. It represents the compilation of the five certificates Honeywell currently has covering the certification of these products into marine applications. For SmartLine Pressure Transmitter and SMV800 Smart Multivariable Transmitter
	American Bureau of Shipping (ABS) - 2009 Steel Vessel Rules 1-1-4/3.7, 4-6-2/5.15, 4-8-3/13 & 13.5, 4-8-4/27.5.1, 4-9-7/13. Certificate number: 04-HS417416-PDA
	Bureau Veritas (BV) - Product Code: 389:1H. Certificate number: 12660/B0 BV
	Det Norske Veritas (DNV) - Location Classes: Temperature D, Humidity B, Vibration A, EMC B, Enclosure C. For salt spray exposure; enclosure of 316 SST or 2-part epoxy protection with 316 SST bolts to be applied. Certificate number: A-11476
	Korean Register of Shipping (KR) - Certificate number: LOX17743-AE001
	Lloyd's Register (LR) - Certificate number: 02/60001(E1) & (E2)
SIL 2/3 Certification	IEC 61508 SIL 2 for non-redundant use and SIL 3 for redundant use according to EXIDA and TÜV Nord Sys Tec GmbH & Co. KG under the following standards: IEC61508-1: 2010; IEC 61508-2: 2010; IEC61508-3: 2010.

Other Certification Options

Materials

- o NACE MRO175, MRO103, ISO15156

Dimensional Drawings

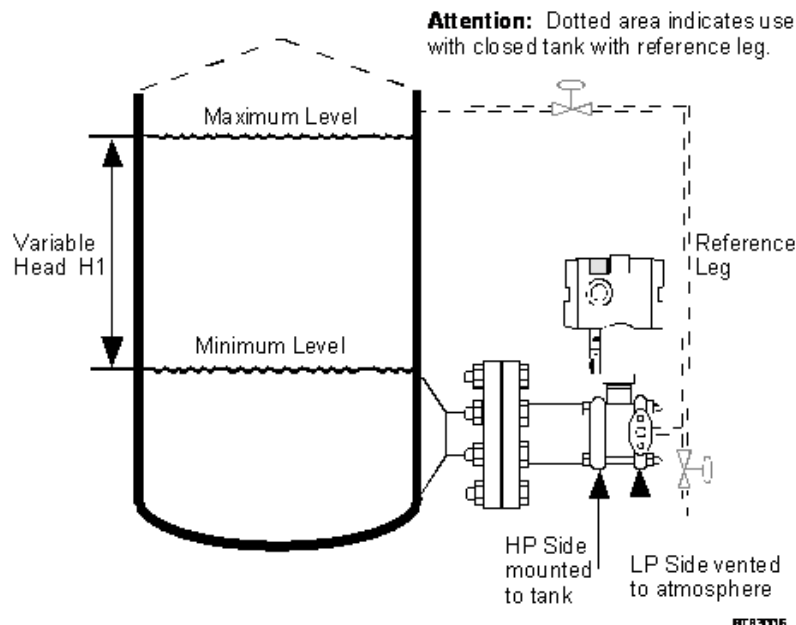


Figure 3 – Typical mounting for flange mounted level transmitter

Dimensional Drawings (con't)

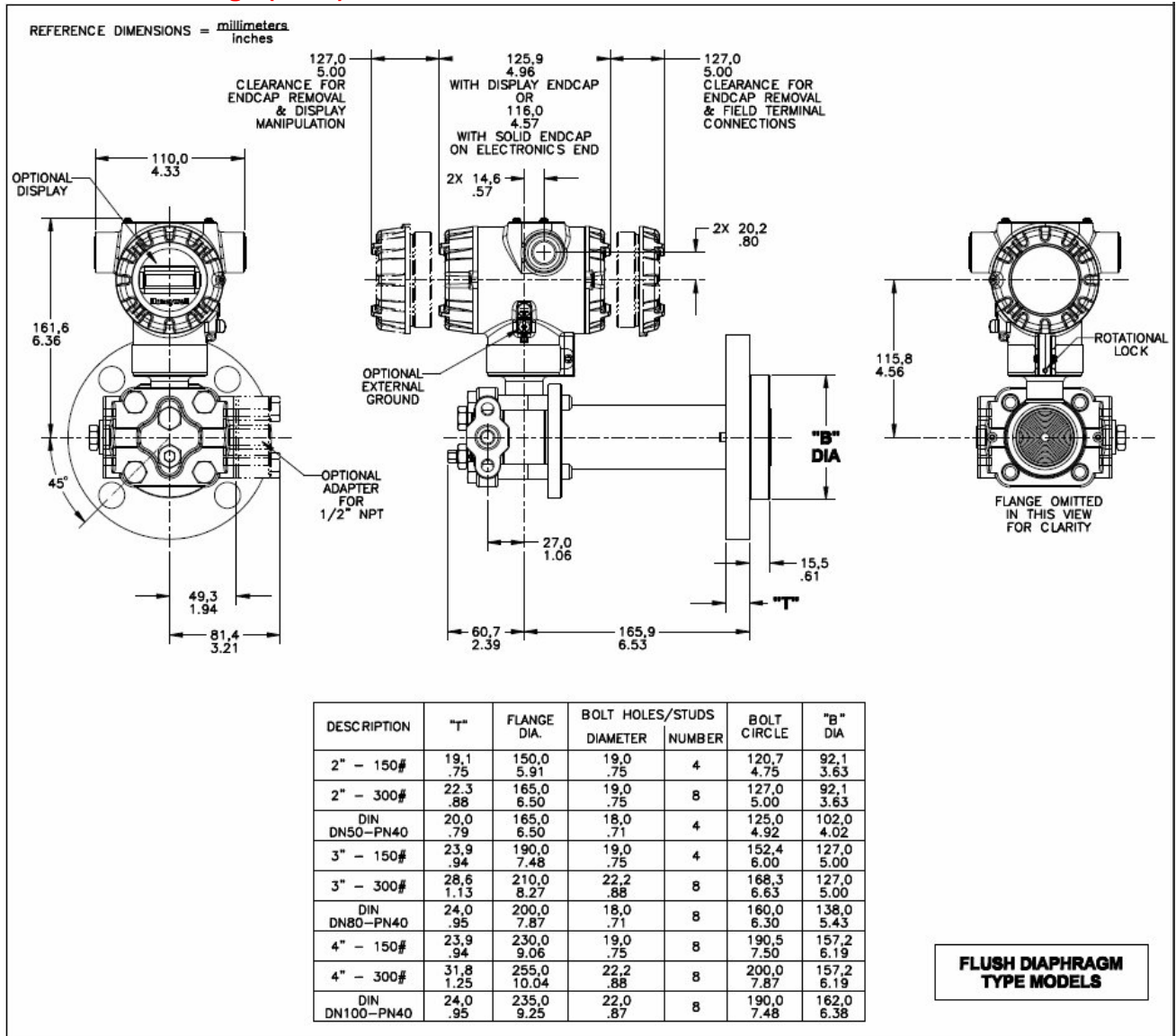


Figure 4 – Typical mounting dimensions for flush diaphragm type models STF724 and STF732.

Dimensional Drawings (con't)

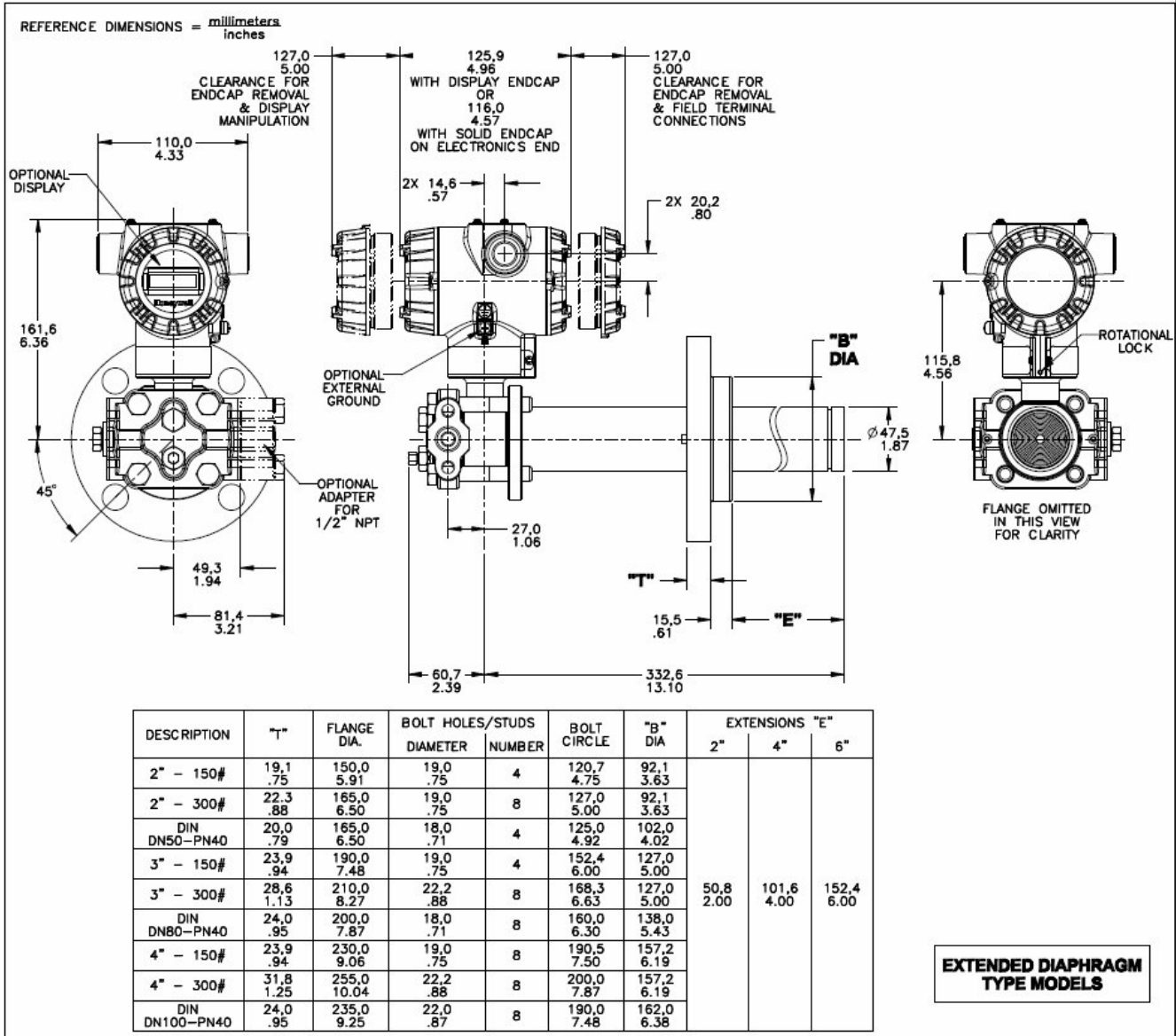


Figure 5 – Typical mounting dimensions for extended diaphragm type models STF724 and STF732.

Dimensional Drawings (con't)

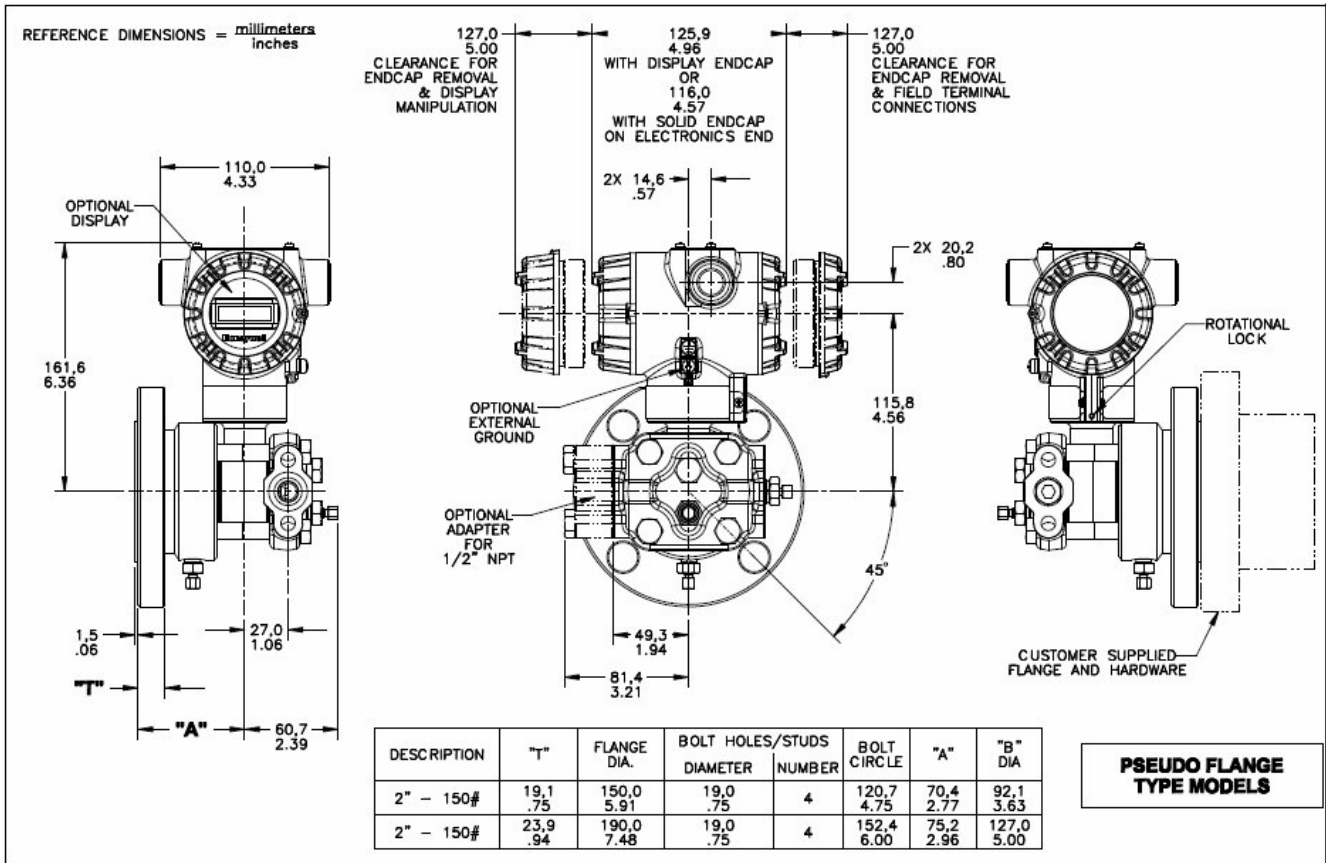


Figure 6 – Typical mounting dimensions for pseudo flange type models STF72F, STF73F, and STF74F.

Model Selection Guide

Model Selection Guides are subject to change and are inserted into the specifications as guidance only.

Model STF700 Flange Mounted Liquid Level Transmitter

Model Selection Guide
34-ST-16-103 Issue 20

Instructions									
<ul style="list-style-type: none"> Select the desired Key Number. The arrow to the right marks the selection available. Make one selection from each Table (I, II and IX) using the column below the proper arrow. A(●) denotes unrestricted availability. Aletter denotes restricted availability. Restrictions follow Table IX. 									
Key Number	I	II	III	IV	V	VI	VII	VIII	IX
STF7__	-	-	-	-	-	-	-	-	+ 0000

KEY NUMBER	URL	LRL	Max Span	Min Span	Units	Selection	Availability
Measurement Range Std Accuracy	400 (1000)	-400 (-1000)	400 (1000)	4 (10)	" H ₂ O (mbar)	STF724	↓
	100 (7)	-100 (-7)	100 (7)	1 (0.07)	psi (bar)	STF732	↓
	400 (1000)	-400 (-1000)	400 (1000)	1 (2.5)	" H ₂ O (mbar)	STF72F	↓
	100 (7)	-100 (-7)	100 (7)	1 (0.07)	psi (bar)	STF73F	↓

TABLE I												
Meter Body & Flange Design	Materials of Construction	Design	Ref. Head	Vent Drain Valve on Ref. Head ²	Barrier Diaphragm. (wetted)	Diaphragm. Plate (wetted)	Extension (wetted)	Sel.				
a. Process Wetted Heads & Diaphragm Materials	Flush	Carbon ¹ Steel	316 SS	316L SS Hast C ³ Hast C ³	316L SS 316L SS 316L SS	N/A	N/A	A_____	●	●		
								W_____	●	●		
								B_____	●	●		
		316 SS ⁵	316L SS Hast C ³ Hast C ³	316L SS 316L SS 316L SS	N/A	N/A	E_____	●	●			
							X_____	●	●			
							F_____	●	●			
	Hast C ^{3,6}	Hast C ³	Hast C ³	Hast C ³	Hast C ³	N/A	N/A	J_____	●	●		
								M_____	●	●		
								N_____	●	●		
	Extended	Carbon ¹ Steel	316 SS	316L SS Hast C ³	316L SS 316L SS	316L SS	316L SS	R_____	●	●		
								S_____	●	●		
		316 SS ⁵	316L SS Hast C ³	316L SS Hast C ³	N/A	N/A	1_____	●	●			
Pseudo Flange	Carbon ¹ Steel	316 SS	316L SS Hast C ³	316L SS Hast C ³	N/A	N/A	2_____	●	●			
							316 SS ⁵	316L SS Hast C ³	316L SS Hast C ³	N/A	N/A	4_____
b. Fill Fluid (Meter Body & Flange)	Silicone Oil 200							_1_____	●	●		
	Fluorinated Oil CTFE							_2_____	●	●		
	Silicone Oil 704							_3_____	●	●		
	NEOBEE® M-20							_4_____	●	●		
c. Process Connection	Reference Head					Flange		Sel.				
	1/4 NPT					High Pressure Side		_A_____		●	●	
						Low Pressure Side		_C_____		●	●	
d. Bolts for Process Heads	1/2 NPT Adapter - material matches head material and head bolt material ¹¹							High Pressure Side		_H_____	●	●
								Low Pressure Side		_K_____	●	●
	Carbon Steel Bolts									_C_____	●	●
	316 SS Bolts									_S_____	●	●
e. Vent/Drain Type/Location	A286 SS (NACE) Bolts									_N_____	●	●
	B7M Bolts									_B_____	●	●
	Ref. Head Type	Vent Type	Location	Vent Material		Sel.						
Single Ended	None	None	None		_____1__		●	●				
Single Ended	Std	Side	Matches Head Material ¹¹		_____2__		●	●				
Single Ended	Ctr	Side	Stainless Steel Only		_____3__		t	t				
Dual Ended	Std	End	Matches Head Material ¹¹		_____4__		●	●				
Dual Ended	Cntr	End	Stainless Steel Only		_____5__		t	t				
Dual Ended	Vent/Plug	Side/End	Matches Head Material ¹¹		_____6__		●	●				
f. Gasket Material	Teflon® or PTFE (Glass Filled)							_____A		●	●	
	Viton® or Fluorocarbon Elastomer							_____B		●	●	

¹ Carbon Steel heads are zinc-plated and not recommended for water service due to hydrogen migration. For that service, use the 316 stainless steel Wetted Reference Head.
² Vent/Drains are Teflon or PTFE coated for lubricity.
³ Hastelloy® C-276 or UNS N10276
⁵ Supplied as 316 SS or as Grade CF8M, the casting equivalent of 316 SS.
⁶ Supplied as indicated or as Grade CW12MM, the casting equivalent of Hastelloy® C-276
¹¹ Except Carbon Steel Heads shall use 316SS Vent/Drain, Plugs & Adapters when required

Availability
STF7xx

TABLE II		Flange Material	Threaded Nut Ring Material	Selection	24 32	2F 3F		
Flange Assembly	a. Flange (ANSI Flanges have 125-500 AARH Surface Finish)	3" ANSI Class 150 3" ANSI Class 300 DN80-PN40 DIN 4" ANSI Class 150 4" ANSI Class 300 DN100-PN40 DIN 2" ANSI Class 150 2" ANSI Class 300 DN50-PN40 DIN	Carbon Steel (non-wetted)	Carbon Steel (non-wetted)	1 __ 2 __ 3 __ 4 __ 5 __ 6 __ 7 __ 8 __ 9 __	• • • • • • • • •		
		3" ANSI Class 150 3" ANSI Class 300 DN80-PN40 DIN 4" ANSI Class 150 4" ANSI Class 300 DN100-PN40 DIN 2" ANSI Class 150 2" ANSI Class 300 DN50-PN40 DIN	304 SS (non-wetted)	304 SS (non-wetted)	A __ B __ C __ D __ E __ F __ Q __ U __ V __	• • • • • • • • •		
		3" ANSI Class 150 3" ANSI Class 300 DN80-PN40 DIN 4" ANSI Class 150 4" ANSI Class 300 DN100-PN40 DIN 2" ANSI Class 150 2" ANSI Class 300 DN50-PN40 DIN	316 SS (non-wetted)	304 SS (non-wetted)	H __ J __ K __ L __ M __ N __ W __ X __ Z __	• • • • • • • • •		
		Pseudo Flange on Standard DP				Sel.		
		2" ANSI Class 150 without Vent/Drain	316L SS (wetted)	Not Applicable	S __		•	
		2" ANSI Class 150 with Vent/Drain			T __		•	
		3" ANSI Class 150 without Vent/Drain			P __		•	
		3" ANSI Class 150 with Vent/Drain			R __		•	
		b. Gasket Ring (wetted)	No Selection			_ 0 _		•
			Flush Design	316L SS		_ 1 _	s	
			Extended Design	Hastelloy® C ³		_ 2 _	s	
		c. Extension (wetted)			316L SS	_ 5 _	v	
	No Selection			_ _ 0		•		
	Flush			_ _ F	w			
	Diameter		Length	Sel.				
1.87 Inches (for 2", 3" or 4 " spud) ¹³			2 inches 4 inches 6 inches	_ _ C _ _ D _ _ E	v v v			

³ Hastelloy® C-276 or UNS N10276

¹³ For part numbers and pricing information on Tank Spuds refer to page ST-91 (Supplementary Accessories & Kits).

TABLE III		Agency Approvals (see data sheet for Approval Code Details)	Selection		
Approvals	No Approvals Required		0	*	*
	FM Explosion proof, Intrinsically Safe, Non-incendive, & Dustproof		A	*	*
	CSA Explosion proof, Intrinsically Safe, Non-incendive, & Dustproof		B	*	*
	ATEX Explosion proof, Intrinsically Safe & Non-incendive		C	*	*
	IECEX Explosion proof, Intrinsically Safe & Non-incendive		D	*	*
	SAEx/CCoE Explosion proof, Intrinsically Safe & Non-incendive		E	*	*
	INMETRO Explosion proof, Intrinsically Safe & Non-incendive		F	*	*
	NEPSI Explosion proof, Intrinsically Safe & Non-incendive		G	*	*
	KOSHA Explosion proof, Intrinsically Safe & Non-incendive		H	*	*
	EAC Customs Union(Russia,Belarus,Kazakhstan) Ex Approval, Flame proof, Intrinsically Safe		I	*	*

STF7xx
 Availability
 ↓
 ↓

TABLE IV TRANSMITTER ELECTRONICS SELECTIONS				Selection	
a. Electronic Housing Material & Connection Type	Material	Connection	Lightning Protection		
	Polyester Powder Coated Aluminum	1/2 NPT	None	A__	* *
	Polyester Powder Coated Aluminum	M20	None	B__	* *
	Polyester Powder Coated Aluminum	1/2 NPT	Yes	C__	* *
	Polyester Powder Coated Aluminum	M20	Yes	D__	* *
	316 Stainless Steel (Grade CF8M)	1/2 NPT	None	E__	* *
	316 Stainless Steel (Grade CF8M)	M20	None	F__	* *
	316 Stainless Steel (Grade CF8M)	1/2 NPT	Yes	G__	* *
316 Stainless Steel (Grade CF8M)	M20	Yes	H__	* *	
b. Output/ Protocol	Analog Output		Digital Protocol		
	4-20mA dc		HART Protocol	_H_	* *
	4-20mA dc		DE Protocol	_D_	* *
	none		Foundation Fieldbus	_F_	* *
c. Customer Interface Selections	Indicator	Ext Zero, Span & Config Buttons	Languages		
	None	None	None	_ _ 0	* *
	None	Yes (Zero/Span Only)	None	_ _ A	f f
	Basic	None	English	_ _ B	* *
	Basic	Yes	English	_ _ C	* *
	Standard (w/internal Zero, Span & Conf Buttons)	None	English	_ _ D	u u

TABLE V CONFIGURATION SELECTIONS				Selection		24	2F
a. Application Software	Diagnostics					32	3F
	Standard Diagnostics			1__	* *		
b. Output Limit, Failsafe & Write Protect Settings	Write Protect	Fail Mode	High & Low Output Limits ³				
	Disabled	High> 21.0mAdc	Honeywell Std (3.8 - 20.8 mAdc)	_ 1_	f f	f f	
	Disabled	Low< 3.6mAdc	Honeywell Std (3.8 - 20.8 mAdc)	_ 2_	f f	f f	
	Enabled	High> 21.0mAdc	Honeywell Std (3.8 - 20.8 mAdc)	_ 3_	f f	f f	
	Enabled	Low< 3.6mAdc	Honeywell Std (3.8 - 20.8 mAdc)	_ 4_	f f	f f	
	Enabled	N/A	N/A Fieldbus	_ 5_	g g	g g	
c. General Configuration	Factory Standard			_ _ S	* *		
	Custom Configuration (Unit Data Required from customer)			_ _ C	* *		

³ NAMUR Output Limits 3.8 - 20.5mAdc can be configured by the customer or select custom configuration Table Vc

TABLE VI CALIBRATION & ACCURACY SELECTIONS				Selection	
Accuracy and Calibration	Accuracy	Calibrated Range	Calibration Qty		
	Standard	Factory Std	Single Calibration	A	* *
	Standard	Custom (Unit Data Required)	Single Calibration	B	* *

TABLE VII ACCESSORY SELECTIONS				Selection	
a. Mounting Bracket	None (not required with flange mount unit)			0__	* *
b. Customer Tag	No customer tag			_ 0__	* *
	One Wired Stainless Steel Tag (Up to 4 lines 26 char/line)			_ 1__	* *
	Two Wired Stainless Steel Tag (Up to 4 lines 26 char/line)			_ 2__	* *
c. Unassembled Conduit Plugs & Adapters	No Conduit Plugs or Adapters Required			_ _ A0	* *
	1/2 NPT Male to 3/4 NPT Female 316 SS Certified Conduit Adapter			_ _ A2	n n
	1/2 NPT 316 SS Certified Conduit Plug			_ _ A6	n n
	M20 316 SS Certified Conduit Plug			_ _ A7	m m
	Minifast [®] 4 pin (1/2 NPT)			_ _ A8	n n
	Minifast [®] 4 pin (M20)			_ _ A9	m m

TABLE VIII OTHER Certifications & Options: (String in sequence comma delimited (XX, XX, XX,...))				Selection	
Certifications & Warranty	None - No additional options			00	* *
	NACE MR0175; MR0103; ISO15156 (FC33338) Process wetted parts only			FG	* *
	NACE MR0175; MR0103; ISO15156 (FC33339) Process wetted and non-wetted parts			F7	c c
	Marine (DNV, ABS, BV, KR, LR)			MT	i i
	EN10204 Type 3.1 Material Traceability (FC33341)			FX	* *
	Certificate of Conformance (F3391)			F3	* *
	Calibration Test Report & Certificate of Conformance (F3399)			F1	* *
	Certificate of Origin (F0195)			F5	* *
	FMEDA (SIL 2/3) Certification (FC33337)			FE	j j
	Over-Pressure Leak Test Certificate (1.5X MAWP) (F3392)			TP	* *
	Cert Clean for O ₂ or CL ₂ service per ASTM G93			OX	e e
	PMI Certification			PM	* *
	Extended Warranty Additional 1 year			01	* *
	Extended Warranty Additional 2 years			02	* *
Extended Warranty Additional 3 years			03	* *	
Extended Warranty Additional 4 years			04	* *	

TABLE IX Manufacturing Specials		Selection	
Factory	Factory Identification	0000	* *

MODEL RESTRICTIONS

Restriction Letter	Available Only with		Not Available with	
	Table	Selection(s)	Table	Selection(s)
b	Select only one option from this group			
c	ld	___ N,B ___		
e	lb	_ 2 _		
f			IVb	_ F _
g			IVb	_ H,D _
i	IVa	C,D,G,H ___		
j	IVb	_ H _	Vb	_ 1,2,5,6, _
m	IVa	B,D,F,H ___		
n	IVa	A,C,E,G ___		
s	la	A,W,B,E,X,F,J _ _ _ _ _		
t			la	J _ _ _ _
u	IVb	_ H _		
v	la	M,N,R,S _ _ _ _ _		
w			la I Ib	M,N,R,S _ 5 _

¹The PM option is available on all Smartline Pressure Transmitter process wetted parts such as process heads, flanges, bushings and vent plugs except plated carbon steel process heads and flanges. PM option information is also available on diaphragms except STG and STA in-line construction pressure transmitters.

FIELD INSTALLABLE REPLACEMENT PARTS

Description	Kit Number
Integrally Mounted Basic Indicator Kit (Compatible with all Electronic Modules)	50049911-501
Terminal Strip w/Lightning Protection Kit for HART or DE Modules	50075472-532
Terminal Strip w/Lightning Protection Kit for FFB Module	50075472-534
Terminal Strip w/o Lightning Protection for HART or DE Modules	50075472-531
Terminal Strip w/o Lightning Protection FFB Module	50075472-533
HART Electronics Module	50049849-501
HART Electronics Module w/connection for external configuration buttons	50049849-502
DE Electronics Module	50049849-503
DE Electronics Module w/connection for external configuration buttons	50049849-504
FFB Electronics Module Kit	50049849-509
FFB Electronics Module w/connection for external configuration buttons	50049849-510
Standard Display Module	50126003-501

PRODUCT MANUALS

Description	Part Number
ST 700 SmartLine Transmitter User Manual - English	34-ST-25-44
ST 700 SmartLine Transmitter HART/DE Communications Manual - English	34-ST-25-47
ST 700 SmartLine Transmitter Safety Manual - English	34-ST-25-37
ST 700 SmartLine Transmitter Foundation Fieldbus Manual - English	34-ST-25-48
Paper Manual ST 700 Smart Transmitter Function Block Manual - English	34-ST-25-49

All product documentation is available at www.honeywellprocess.com.

Hastelloy® is a registered trademark of Haynes International
HART® is a registered trademark of HART Communication Foundation.
FOUNDATION™ Fieldbus is a trademark of Fieldbus Foundation.
Viton® is a registered trademark of DuPont Performance Elastomers.
Teflon® is a registered trademark of DuPont.
FM ApprovalsSM is a service mark of FM Global
DC® 200 is a registered trademark of Dow Corning

Sales and Service

For application assistance, current specifications, pricing, or name of the nearest Authorized Distributor, contact one of the offices below.

ASIA PACIFIC

Honeywell Process Solutions,
(TAC) hfs-tac-support@honeywell.com

Australia

Honeywell Limited
Phone: +(61) 7-3846 1255
FAX: +(61) 7-3840 6481
Toll Free 1300-36-39-36
Toll Free Fax:
1300-36-04-70

China – PRC - Shanghai

Honeywell China Inc.
Phone: (86-21) 5257-4568
Fax: (86-21) 6237-2826

Singapore

Honeywell Pte Ltd.
Phone: +(65) 6580 3278
Fax: +(65) 6445-3033

South Korea

Honeywell Korea Co Ltd
Phone: +(822) 799 6114
Fax: +(822) 792 9015

EMEA

Honeywell Process Solutions,
Phone: + 80012026455 or
+44 (0)1344 656000

Email: (Sales)

FP-Sales-Apps@Honeywell.com

or

(TAC)

hfs-tac-support@honeywell.com

AMERICA'S

Honeywell Process Solutions,
Phone: (TAC) 1-800-423-9883 or
215/641-3610
(Sales) 1-800-343-0228

Email: (Sales)

FP-Sales-Apps@Honeywell.com

or

(TAC)

hfs-tac-support@honeywell.com

Specifications are subject to change without notice.

For more information

To learn more about SmartLine Pressure Transmitters visit www.honeywellprocess.com
Or contact your Honeywell Account Manager

Process Solutions

Honeywell
1250 W Sam Houston Pkwy S
Houston, TX 77042

Honeywell Control Systems Ltd
Honeywell House, Skimped Hill Lane
Bracknell, England, RG12 1EB

Shanghai City Centre, 100 Jungi Road
Shanghai, China 20061

www.honeywellprocess.com

Honeywell

34-ST-03-103
March 2020

©2020 Honeywell International Inc.